

DLI CONNECTOR

1	2	3	4	5	6	7	8	9	10
GND	GND	O2 SENSOR	IDLE TRIGGER	SPARE	SPARE	AIR TEMP	MIXTURE TRIM	THROTTLE POSITION	COOLANT TEMP
11	12	13	14	15	16	17	18	19	20
GND	GND	SPARE	+5VDC	+5VDC	IGNITION TRIGGER	SPARE	+13.8VDC	+13.8VDC	FUEL PUMP RELAY

21	22	23	24	25	26	27	28
INJECTOR-4	INJECTOR-3	INJECTOR-2	INJECTOR-1	INJECTOR-8	INJECTOR-7	INJECTOR-6	INJECTOR-5
29	30	31	32	33	34	35	36
GND	GND	GND	GND	GND	GND	GND	GND

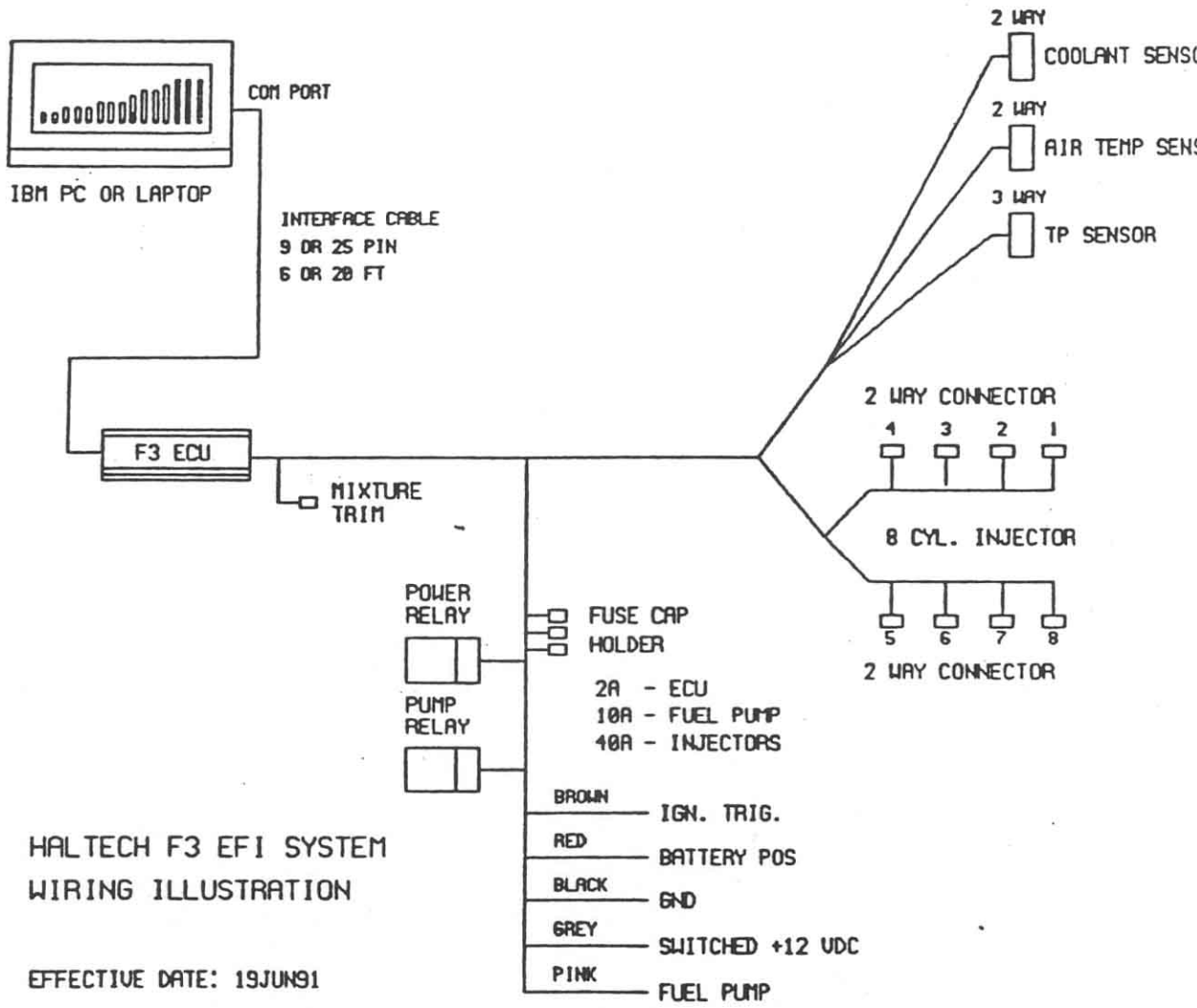
1	2	3	4	5	6
RX DATA	TX DATA	SPARE	SPARE	GND	GND

SDL CONNECTOR

COMMS	TX	RX	GND
9-PIN	2	3	5
25-PIN	2	3	7

NOTE: When using staged injection, injector outputs are:
 PRIMARY: INJECTOR 1, 2, 3 AND 4
 SECONDARY: INJECTOR 5, 6, 7 AND 8

FIGURE 2.8B



**HALTECH F3 EFI SYSTEM
WIRING ILLUSTRATION**

EFFECTIVE DATE: 19JUN91