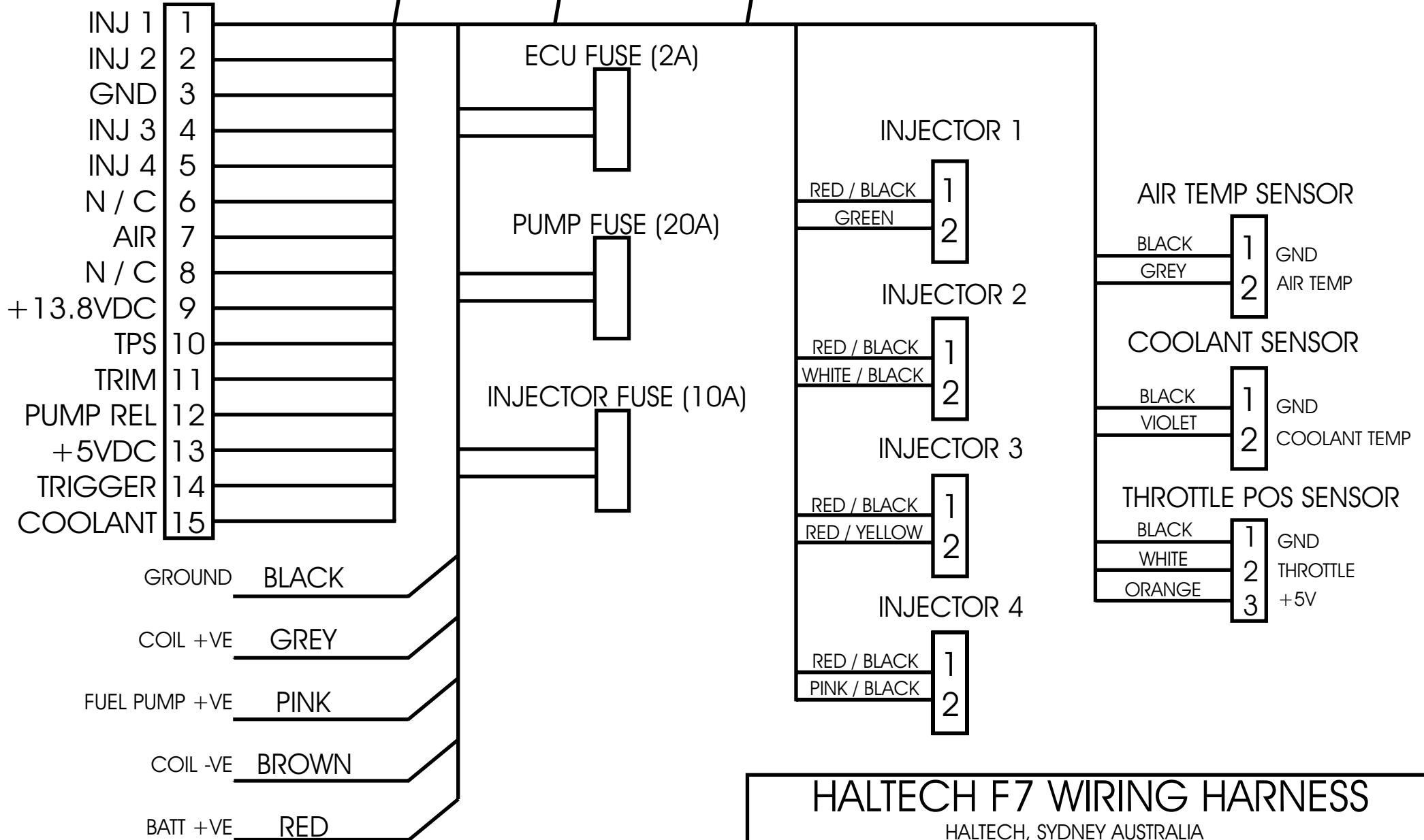
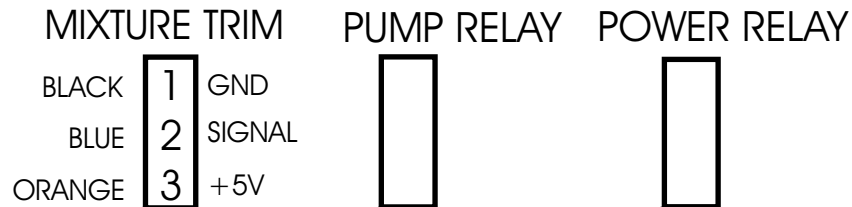
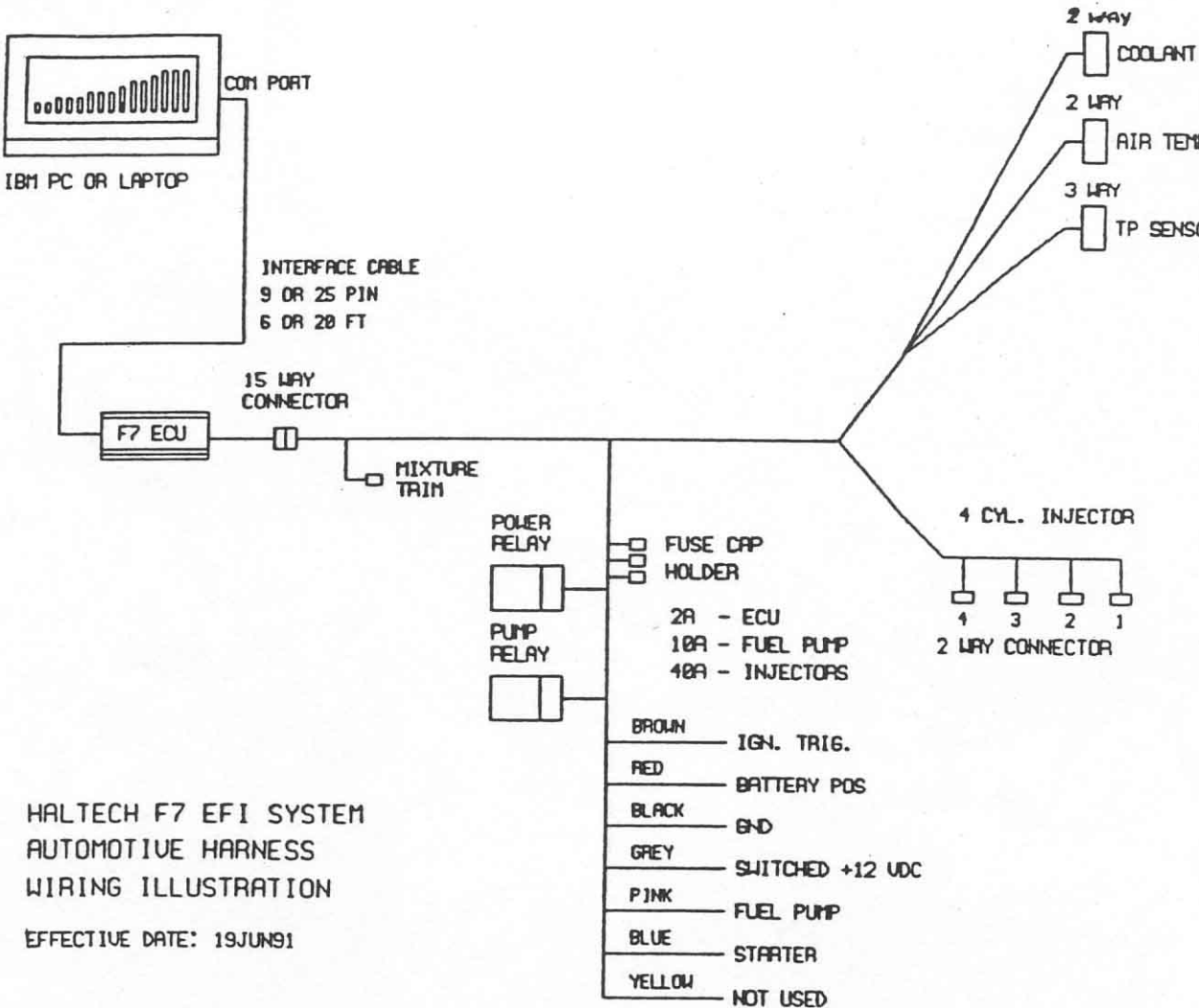


MAIN CONNECTOR



HALTECH F7 WIRING HARNESS
HALTECH, SYDNEY AUSTRALIA

FIGURE 2.8A



HALTECH F7 EFI SYSTEM
AUTOMOTIVE HARNESS
WIRING ILLUSTRATION
EFFECTIVE DATE: 19JUN91